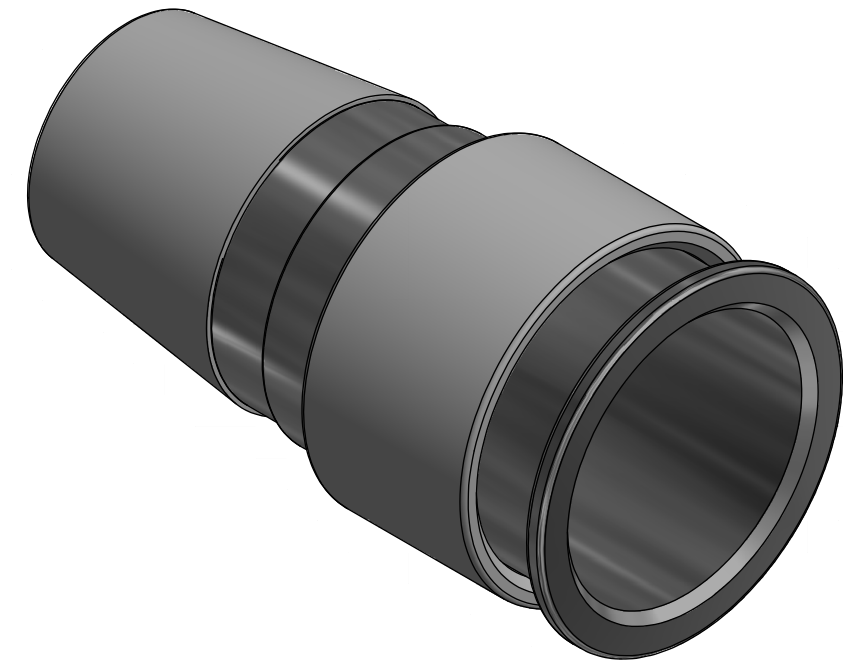
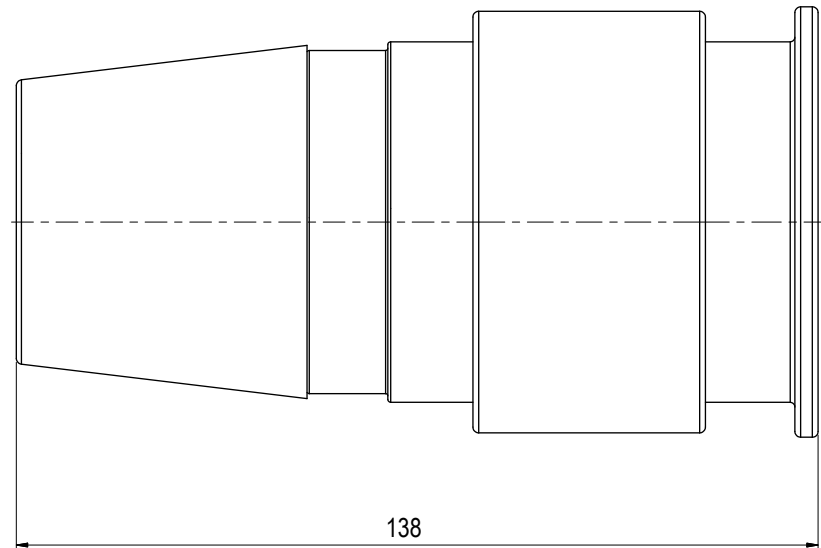
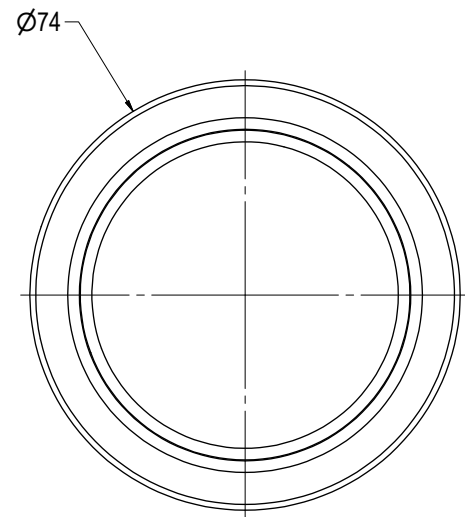


NOTE: 1
 DESIGN CODE:
 N/A

NOTE: 2
 TECHNICAL CLASSIFICATION:
 Article Type: 003-Valve Stabs
 Main Group: 3.07. Ø55/Ø57-Valvestab
 Intermediate Group: 3.42.00. Generic
 Sub Group: 3.42.304.0. System

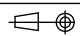
NOTE: 3
 INTERFACE INFORMATION:
 Pressure Rating Bar: N/A
 Material: N/A
 Weight: 0,4 kg
 Volume: 0,26 dm³
 Surface Area: 720 cm²
 Hydraulic: N/A
 Mechanical: N/A
 Electrical: N/A
 Com. & Protocol: N/A



Rev.	Date	Reason for issue	Revision change	Made	Chk'd	Appr.
01	5.6.2023	9-IFU (Issued for Use)		WTJ	LGH	WTJ

BLUE LOGIC 

This Drawing is the Property of Blue Logic AS © and must Not be Loaned, Reproduced or Transferred to others without written Permission

Dwg Scale:	
Dwg Proj:	
Dwg Format:	A3

Drawing title:	Seal Replacement Tool Ø55/Ø57
Drawing number:	BB9957
Rev.	01